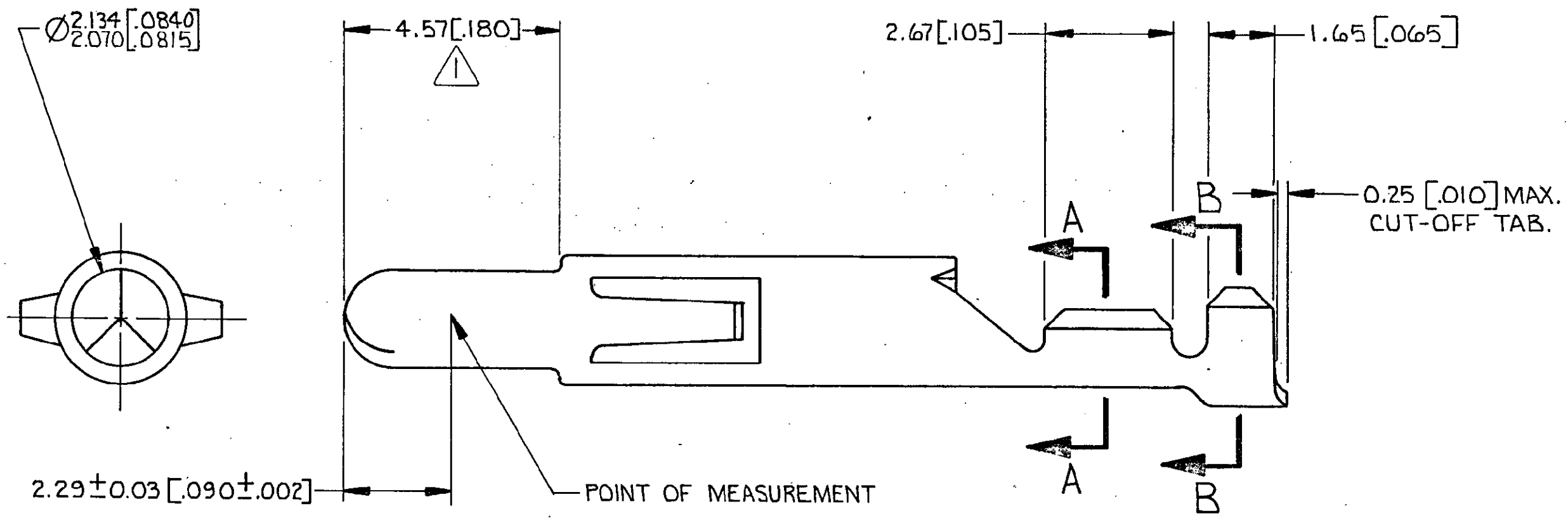
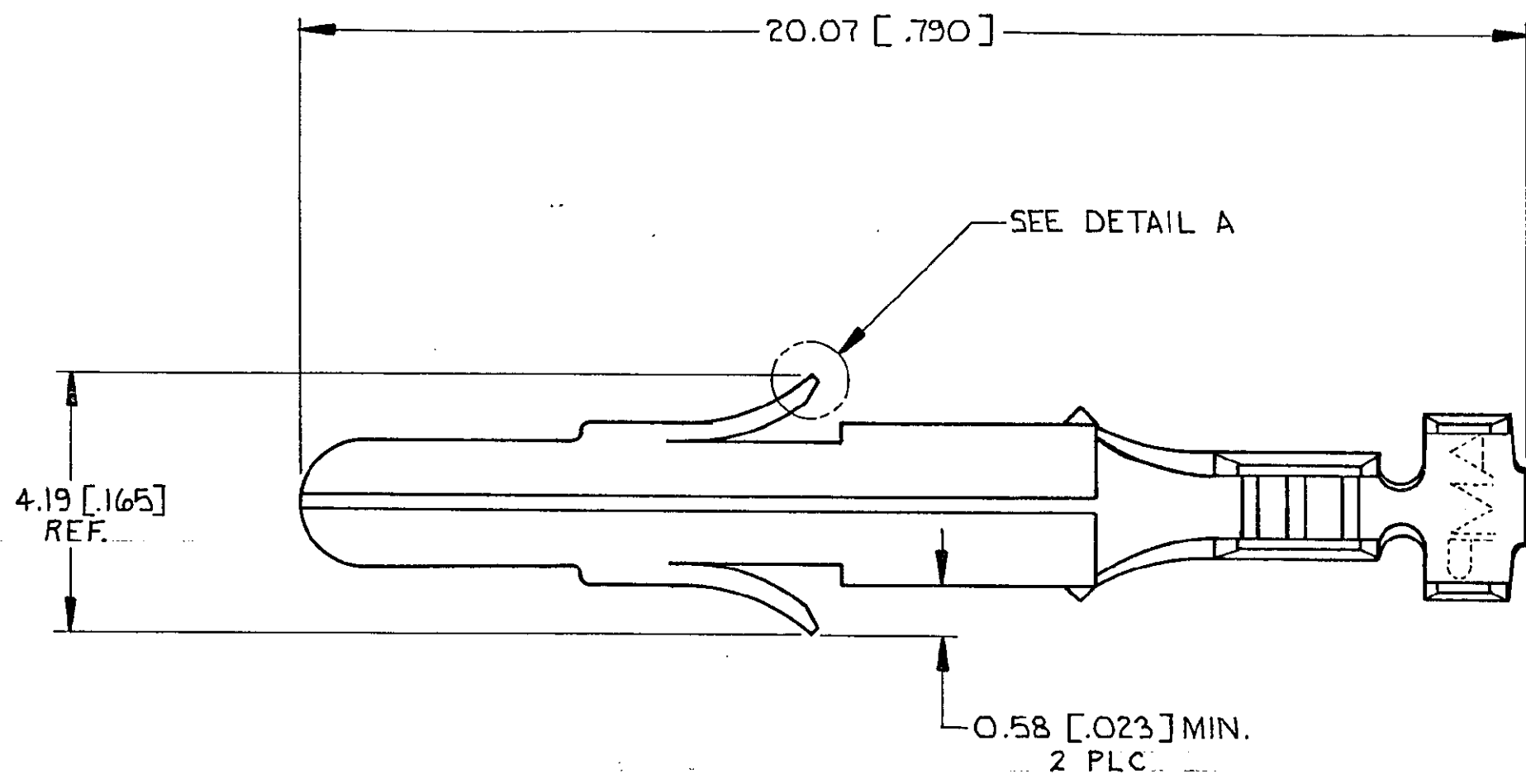
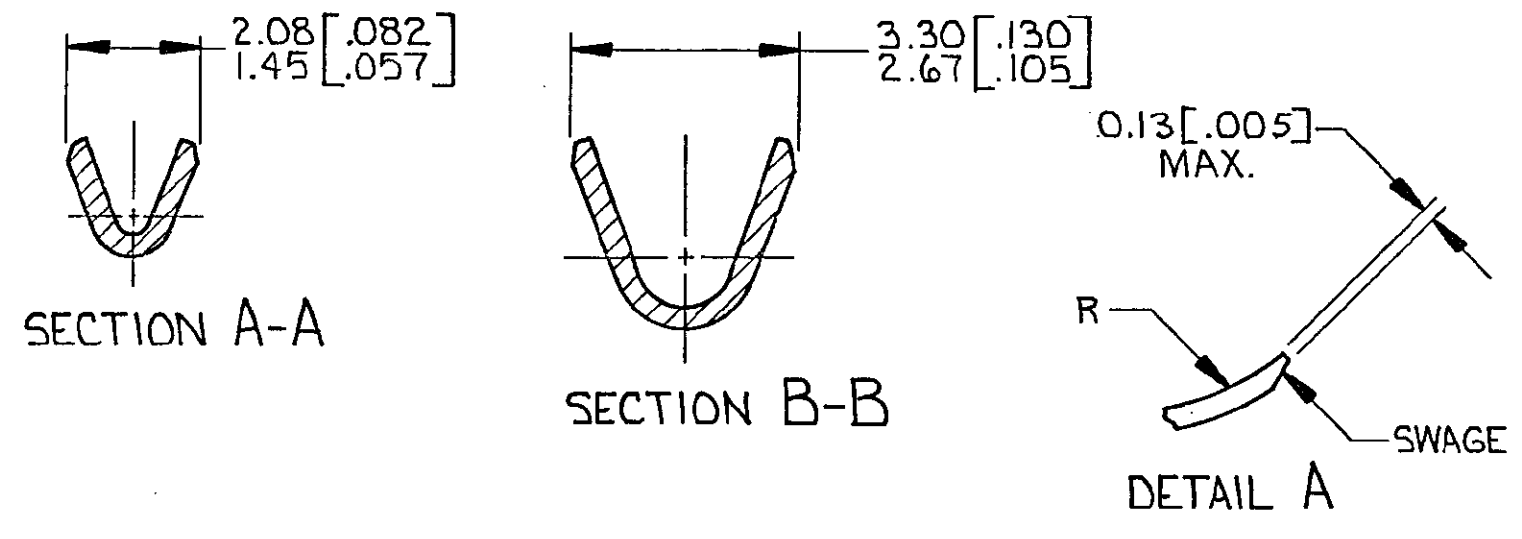


LOC	DIST	P	F	ZONE	LTR	REVISIONS	DATE	APPD
CM	53					O	RELEASED PER PR CM 90-28	2-26-90 PKC RS
						A	REVISED PER CM-3286	2-7-91 PKC RS
						B	REV PER EC 0730-3607-91	1-7-94 RV RS
						C	REV PER EC 0730-0156-94	8-24-94 RV RS



- 0.00076 - 0.00091 [.000030 - .000036] GOLD PLATE IN LOCALIZED GOLD PLATE AREA OVER 0.00127 [.000050] NICKEL UNDERPLATE ALL OVER. 0.00013 - 0.00020 [.000005 - .000008] GOLD FLASH ON REMAINDER OF CONTACT.
- DIMENSIONS IN BRACKETS ARE IN INCHES.
- WIRE RANGE: 0.05-0.15 mm² [30-26 AWG]
INSULATION RANGE: 0.81-1.45 [.032 - .057] DIA.

METRIC



△	0.30 [.012] PH BRZ	770672 -6
PRE-TIN	0.30 [.012] BRASS	770672 -1
FINISH	MATERIAL	PART NO

UNLESS OTHERWISE SPECIFIED DIMENSIONS ARE IN INCHES TOLERANCES ON		DR <i>P. Collins</i> 2-26-90		AMP AMP INCORPORATED Harrisburg, Pa. 17105	
2 PL DEC	± _____	CHK <i>R. Spring</i> 3-2-90	APPD <i>M. Tull</i> 3-2-90		
3 PL DEC	± 0.13 [.005]	MATERIAL		NAME	
ANGLES	± _____	SEE TABLE		PIN, UNIVERSAL MATE-N-LOK™ LOOSE PIECE	
FINISH	SEE TABLE	PRODUCT SPEC		SIZE	FSCM NO
		APPLICATION SPEC		C	00779
		WEIGHT		SCALE	DRAWING NO
				10:1	770672
				SHEET 1 OF 1	